

Invitation to tender for a license / purchase of rights to solution from Poznan University of Technology entitled:

Image coding method

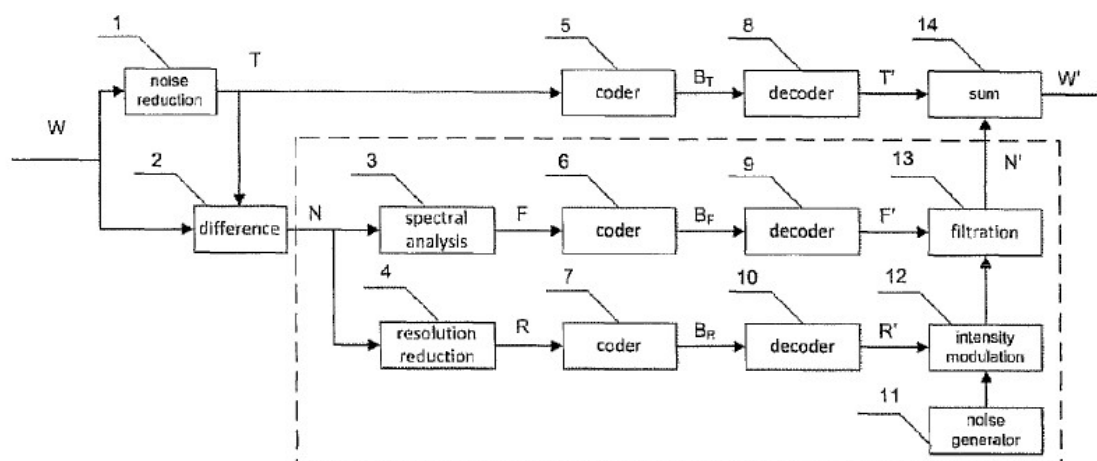
Type of solution

Invention

Idea of solution

An image coding method. The method includes encoding a first image, the first image having a reduced spatial resolution relative to an input image, wherein values of the first image depend on energy of corresponding areas of the input image, and encoding a first shape information of the shape of a spatial spectrum of the input image.

The method further includes reconstructing a second image from the encoded first image, reconstructing a second shape information from the encoded first shape information, and generating a noise image having an intensity described by the second image and having a spectrum shape described by the second shape information.



Solution advantages / Market advantage

An object of the invention is a method for image coding, applicable for compression of images and video sequences with noise character.

The application of the method, according to the invention, has yielded the following technical and economic effects: efficient coding of video sequences with noise character; efficient coding of video sequences with a separated noise layer; and enhancement of the subjective quality of video sequences compressed with a separated noise layer.

Clients

Companies dealing with video signal compression and multimedia.

Technology Readiness Level (TRL)

TRL 4 - technology validated in lab

Status of legal protection

Patent no. US 8761527

<https://patents.google.com/patent/US8761527>

Preferred form of commercialization
<p>Non-exclusive license Exclusive license Sale of patent rights Spin-off company R&D and implementation projects</p>
Form of transfer of rights
<p>Patent documentation.</p>
Additional information
<ol style="list-style-type: none"> 1. This Invitation to submit offers does not constitute an offer within the meaning of the provisions of the Civil Code. 2. Poznan University of Technology will reject the offer if it contains an abnormally low price in relation to the value of the solution. 3. Poznan University of Technology, in order to determine whether the offer contains an abnormally low price in relation to the value of the solution, will ask the Tenderer to provide explanations within a specified time limit regarding the elements of the offer affecting the price. 4. If in the competition procedure it is not possible to select the best offer due to the fact that offers of the same price have been submitted, the Poznan University of Technology will call the Tenderers who submitted these offers to submit additional offers within the time limit specified by the Poznan University of Technology. 5. Poznan University of Technology reserves the right to cancel the competition procedure if the submitted offers contain prices whose value will not exceed the value of the solution. 6. Poznan University of Technology reserves the right to negotiate with selected Bidders. 7. Poznan University of Technology has the right to withdraw from the procedure without giving any reason, without choosing an offer. 8. The conclusion of the contract is conditional on the fulfillment of procedures provided for by legal regulations applicable to universities.
Method of submitting offers
<p>Offers should be submitted in English, in writing to the address of the Technology Transfer Centre of the Poznan University of Technology or electronically to the unit's e-mail address.</p>
Contact details
<p>Technology Transfer Centre of the Poznan University of Technology pl. Marii Skłodowskiej-Curie 5 Office 409 60-965 Poznan, Poland ctt@put.poznan.pl</p>